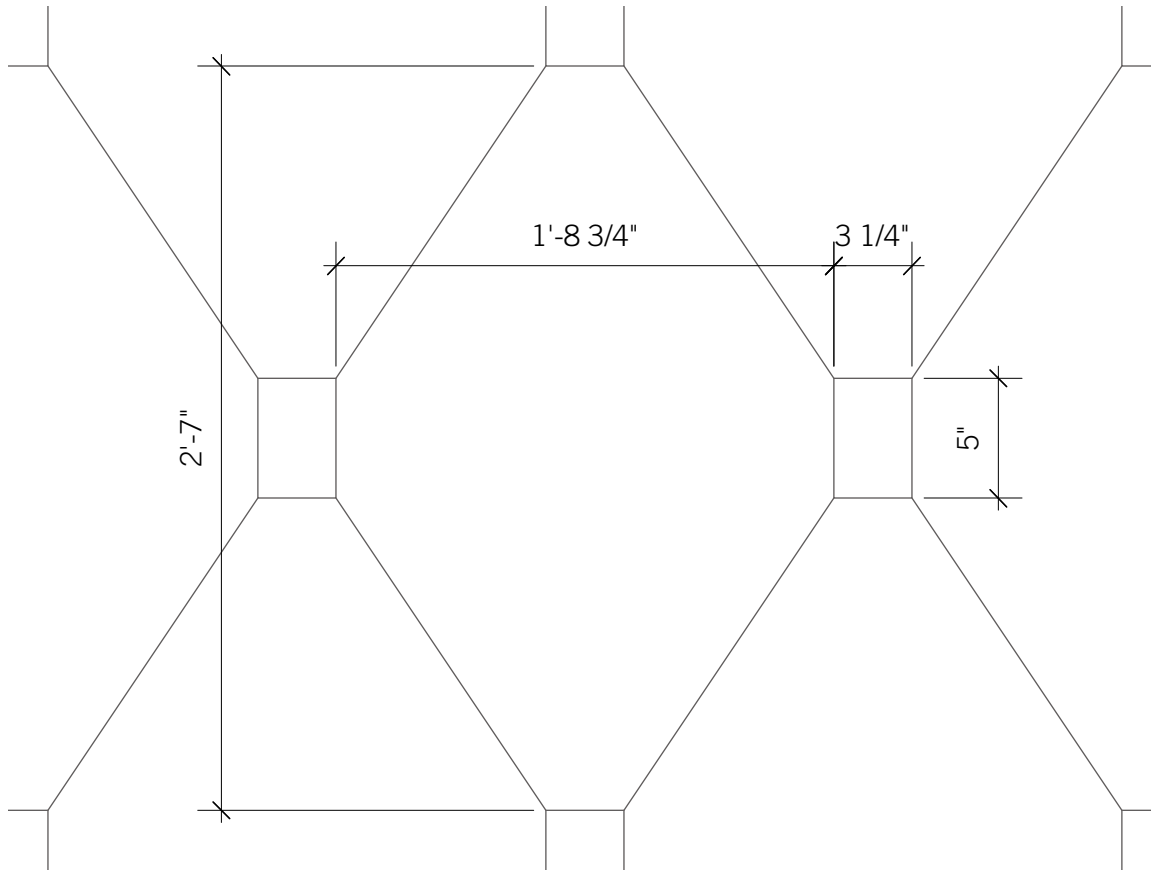


TILE
Argyle (Large) Clipped Corner



sizes (nominal)

24 x 36

3.25 x 5

NOTE:

36x36 Corners to be field cut.



CUSTOM CONCRETE ELEMENTS